

HEMA

Recycling Container Handler

The HEMA recycling container handler is used for emptying containers for bottles and paper/cardboard in an easy and safe manner.

The flexible setting of the open/close wire allows it to be adapted to almost all recycling containers.

It is a tool that facilitates and streamlines the handling of recycling containers and is suitable for mounting on almost all types of auto cranes.

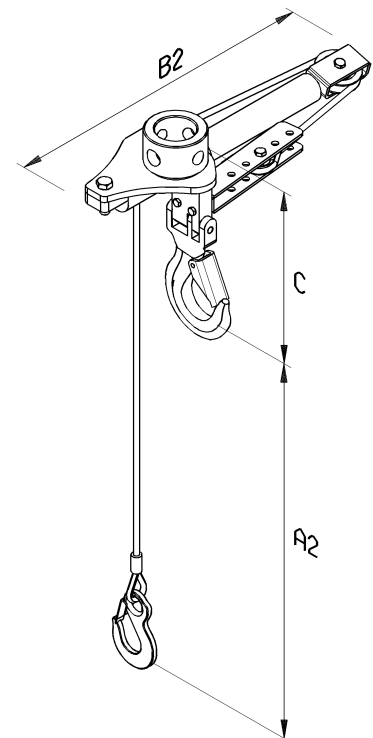
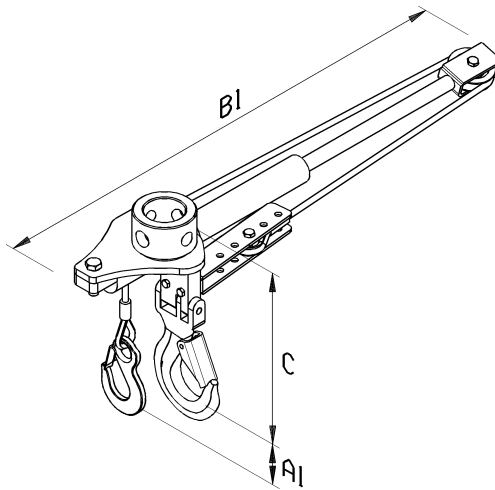
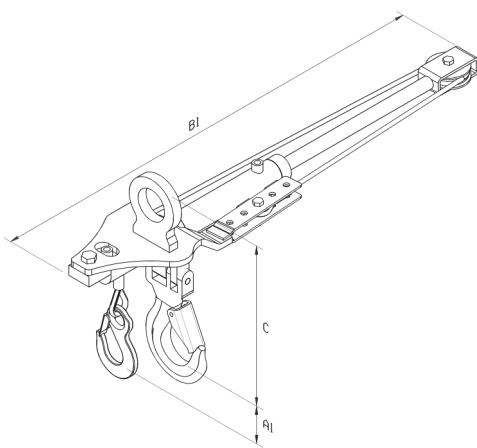
The MCT 25/40 can be delivered with a link for hooks or for direct mounting on a rotator with a shaft.

Mounted on a truck crane, one person can handle the recycling container without having to get up or down from the truck bed to hook on and off.



HEMA Recycling Container Handler MCT 25/40

Alternative link for hooks



Product no.	Model	Max load Little hook	Max load Large hook	Max bar	A1	B1	A2	B2	C
3055 3000	MCT 25/40	1,2Tons	4,0 Tons	200	15-167	972	765-917	622	330
3055 3200	MCT25/40 DWS	625 Kg.	4,0 Tons	200	240	1170	2040	720	330