

# HEMA

## Hydraulic Hook

HEMA Hydraulic hook is intended for handling among other things big bags.

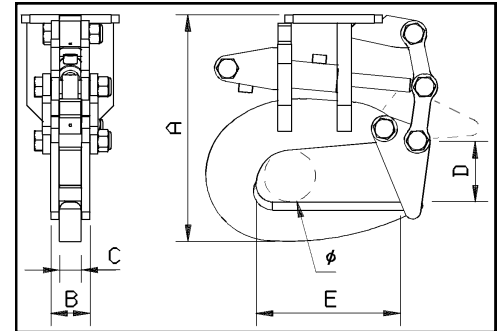
The handling of big bags can often be difficult and time consuming, however this makes it easier and more effective.

The handling of goods will be more secure with minimal risk of damage to the goods as well as damage to the driver, since all operation can be done from the crane control panel.

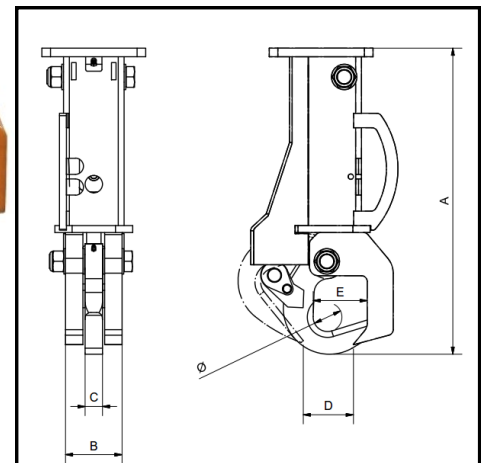
The unit is designed with a large hydraulic hook that easily catches and drops the straps on the bags without the driver going up and down from the truck.



Big-Bag Hook SSK - V2 1500



Hydraulic Hook HK2500



Product no.	TYPE	Bar	Max. load Kg	A mm	B mm	C mm	D mm	E mm	Ø mm	Weight Kg
3050 1012	SSK - V2 1500	200	1500	418	75	40	111	265	111	43
3050 1050	HK2500	200	2500	531	98	30	86	94	50	27