

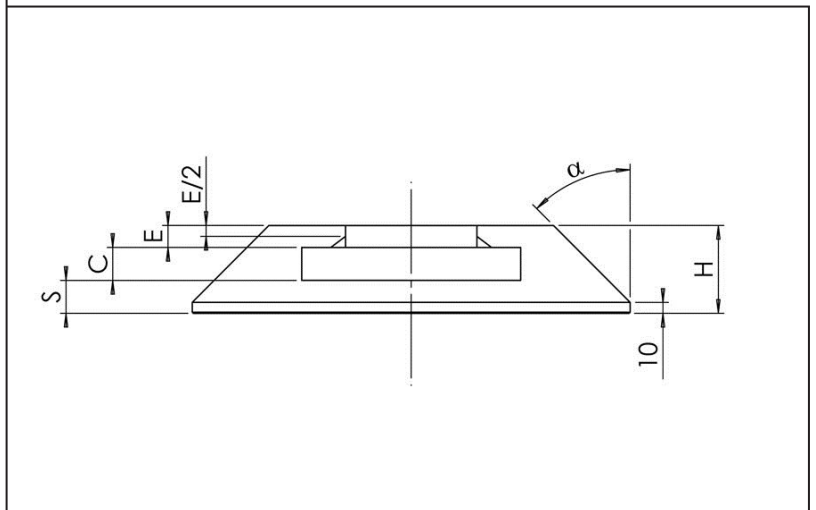
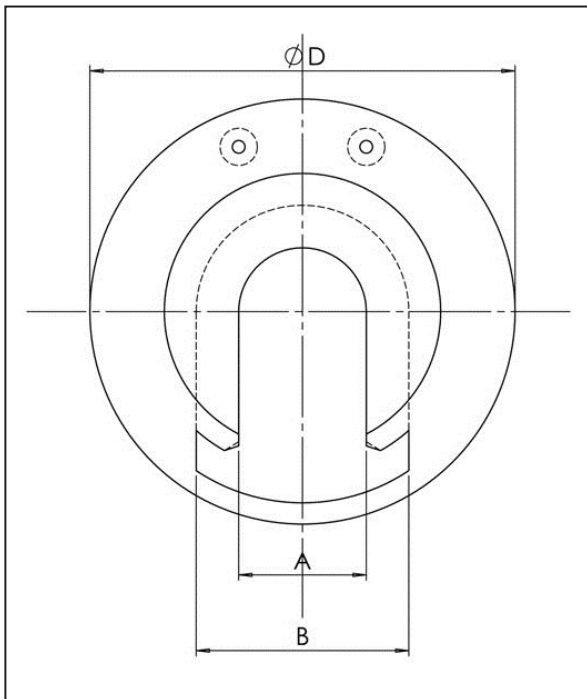
HEMA

Stabilizer Pads - Round

Stabilizer pads are made of polyethylene plastic, which makes them water and moisture resistant, and are reasonably resistant to cold and frost.

The flexibility of the pads also provides support on slightly uneven surfaces.

The stabilizer pads are all supplied with 10 mm handles in a strong and pliant nylon fabric.



| Product nr. | Type | Dimension Cm. | A Mm. | B Mm. | S Mm. | C Mm. | H Mm. | weight Kg | capacity Tons | Use with Crane | |
|-------------|------------|---------------|-------|-------|-------|-------|-------|-----------|---------------|----------------|-------|
| | | | | | | | | | | From Tm | To Tm |
| 3099 4103 | FSBR 30x20 | Ø300 12/20 | 120 | 200 | 30 | 30 | 80 | 2,3 | 10 | 5 | 20 |
| 3099 4104 | FSBR 40x20 | Ø400 12/20 | 120 | 200 | 30 | 30 | 80 | 4,2 | 15 | 20 | 30 |
| 3099 4105 | FSBR 50x25 | Ø500 12/25 | 120 | 255 | 30 | 30 | 80 | 8,8 | 20 | 25 | 50 |
| 3099 4116 | FSBR 60x21 | Ø600 11/21 | 110 | 210 | 30 | 30 | 80 | 14,8 | 25 | 50 | 85 |

Subject to print errors and changes 2011.10.13