

S-series Combi Grapple

The S-series is HEMA's new grapple designed for truck operators and contractors. The series is designed to be used where demands are high for the grapple's strength in terms of digging and breaking ability.

The grapple series is delivered with removeable side plates, individual mounting of link and as standard with a centered hook point underneath the top.

The HEMA grapple opens up so that the blades are fully vertical, enabling it to grab all the way to the trucks's sides.

The S-series has very powerful bolts and bushings in all of the moving points causing high durability and longevity.

The main bolts are spaced apart to achieve stability between the grapple shells.

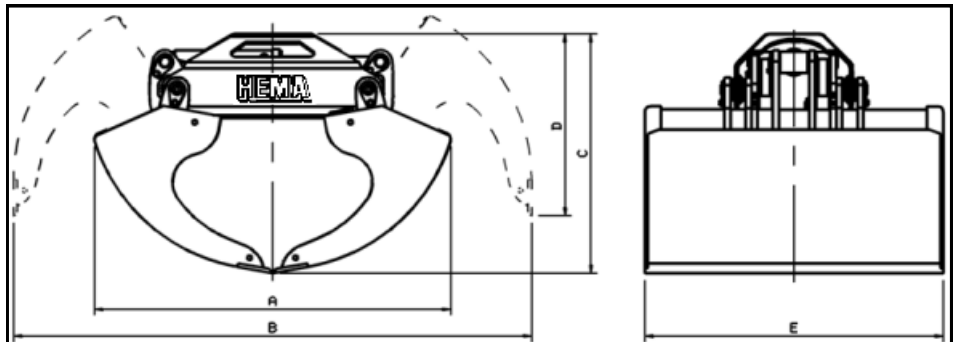
The S-series grapples are delivered with a pressure relief valve, preset to 200 bar and an adjustable cylinder as on previous models, with the option to compensate for any potential wear on the blades.

Extra equipment for CGS

Special Asphalt sides
Steel driving plate rails
Rubber clamps



HEMA Combi Grapple
CGS90-700



Product nr.	TYPE S- serien	Bar	Contents	A mm	B mm	C mm	D mm	E mm	Weight kg
3016 5125	CGS 90-500	350 / 200	500 L	1510	2170	1000	760	795	550
3016 5127	CGS-90-500 XL	350 / 200	500 L	1310	1940	880	740	1040	530
3016 5130	CGS 90-700	350 / 200	700 L	1510	2170	1000	760	1040	590
3016 5135	CGS 90-875	350 / 200	875 L	1510	2170	1000	760	1250	710
3016 5140	CGS 90-1050	350 / 200	1050 L	1510	2170	1000	760	1540	730
3016 5150	CGS 90-1150	350 / 200	1150 L	1510	2170	1000	760	1700	740

Hook, Steel Plate Rails and Asphalt sides for Combi Grapple S-series CGS90-500 and CGS90-700

S-series Lifting Hooks

The S-series can now be delivered with bolt-on lifting hooks mounted on each side of the top. This enables easy lifting of machines and other materials.



S-series Asphalt sides

The s-series can be delivered with easily detachable asphalt sides that allow for an easier access to shovel, both in and out of the grapple.

S-series Steel Driving Plate Rails

HEMA's s-series combi grapple can be mounted with steel plate rails for handling steel driving plates. Together with the steel plate rails, counter-valves are installed for safe handling.

The HEMA steel plate rails can easily be mounted on the Combi Grapple with 4 bolts, and can be carried in the truck's toolbox.



HEMA Combi Grapple
CGS with Asphalt sides

