

HEMA

S-series Soil Grapple

The S-series is a grapple designed for truck operators and contractors. The series is designed for use where demands are placed on the grapple's strength in terms of digging and breaking ability.

The grapple series is delivered as the soil grapple with individual link and as standard with centered hook suspension underneath the top.

The HEMA grapple opens up so that the blades are vertical, enabling the grapple to grab all the way to the truck's sides.

The S-series has very powerful bolts and bushings in all of the moving points causing high durability and longevity.

The main bolts are spaced apart to achieve stability between the grapple shells.

The S-series grapples are delivered with pressure relief valve, preset to 200 bar and an adjustable cylinder as on previous models, with the option to compensate for any potential wear on the blades.

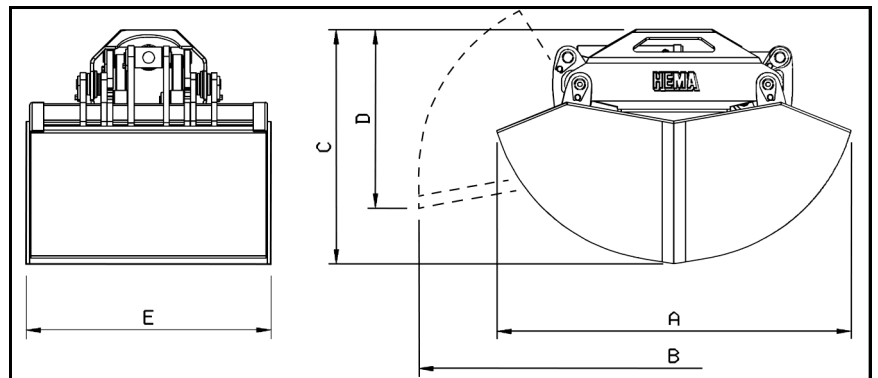


HEMA Soil Grapple
HJS90-700



S-series Lifting Hook

The S-series can now be delivered with bolt able lifting hooks mounted on each side of the top. This enables easy lifting of machines and other materials.



Product nr.	TYPE S- series	Bar	Contents	A mm	B mm	C mm	D mm	E mm	Weight kg
3016 5025	HJS 90-500	350 / 200	500 L	1510	2170	1000	760	795	490
3016 5027	HJS-90-500 XL	350 / 200	500 L	1310	1940	880	740	1040	480
3016 5030	HJS 90-700	350 / 200	700 L	1510	2170	1000	760	1040	520
	HJS 90-875	350 / 200	875 L	1510	2170	1000	760	1250	640
3016 5040	HJS 90-1050	350 / 200	1050 L	1510	2170	1000	760	1540	660
3016 5050	HJS 90-1150	350 / 200	1150 L	1510	2170	1000	760	1700	670