

Pallet Fork PGKL Clamp Suspension

HEMA 2 and 3 ton pallet forks with clamp links are supplied with adjustable clearance height and spring locks which are adjustable in width.

With the clamp link you can easily and accurately find the correct lifting point.

The pallet is equipped with a stop plate, ensuring proper handling of the pallet fork.

The HEMA pallet fork PGKL can be delivered with telescopic tubes for handling insulation pallets.

The HEMA pallet fork is delivered with link for hooks or rotators



Type PGKL 23.
3 Tons pallet fork with clamp link

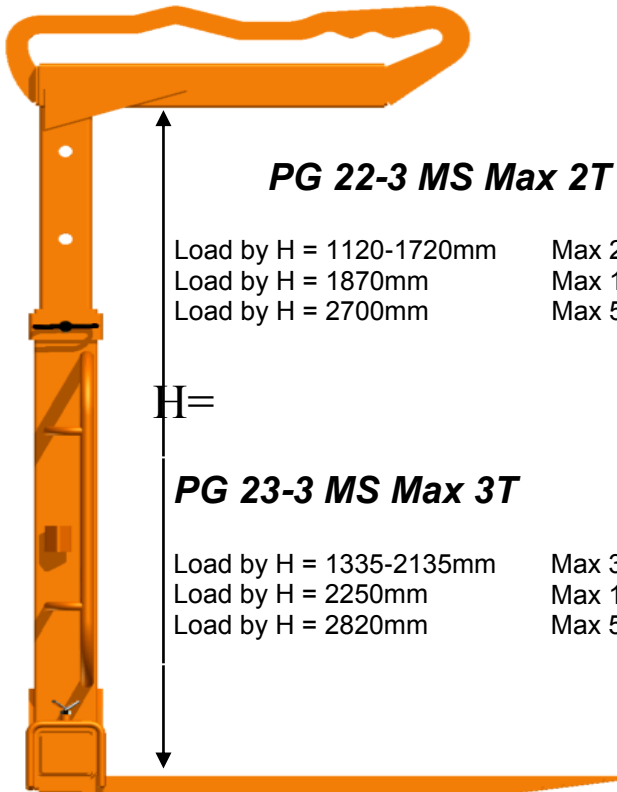
Forklift Pockets for Pallet Fork

The pallet forks can be mounted with forklift pockets, making it easier to move the pallet forks up or down from the truck. The forklift pockets are easily fitted to both the 2 and 3 ton pallets.

The forklift pockets protect against damage on the load and reduces the risk of dropping and damaging the pallet forks.



**Special
forklift pockets
for easy handling
with forklift**

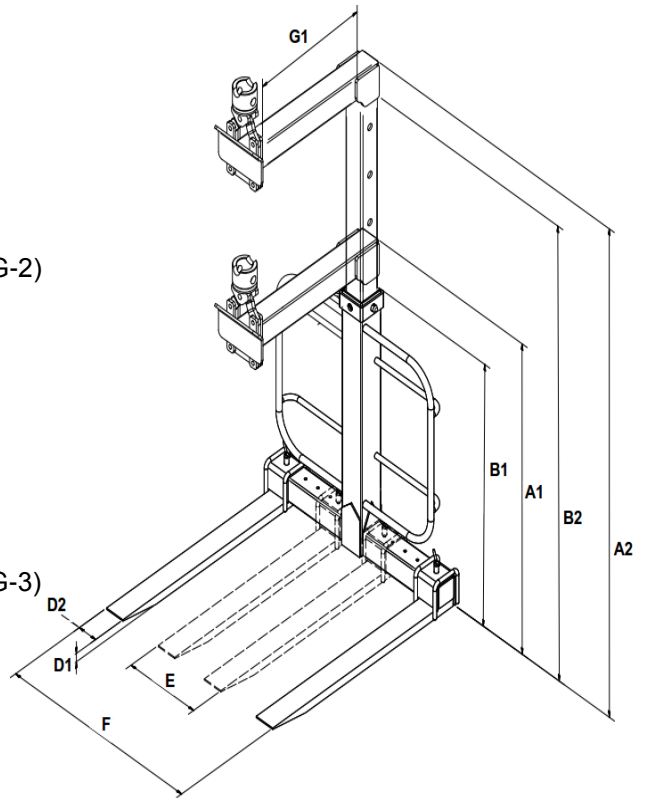


PG 22-3 MS Max 2T

Load by H = 1120-1720mm Max 2000 kg
 Load by H = 1870mm Max 1300 kg
 Load by H = 2700mm Max 530 kg (with TIPG-2)

PG 23-3 MS Max 3T

Load by H = 1335-2135mm Max 3000 kg
 Load by H = 2250mm Max 1700 kg
 Load by H = 2820mm Max 530 kg (with TIPG-3)



Product Nr.	TYPE	fork-length mm	Max load See above	A1 mm	A2 mm	B1 mm	B2 mm	D 1 mm	D 2 mm	E mm	F mm	G 1 mm	Weight kg
3070 7410	PGKL 22 1000 2T. Pallet fork	1000	2 Tons 1300 Kg.	1448	2073 2223	1095	1720 1870	35	100	380	1000	630	165
3070 7412	PGKL 22 1200 2T. Pallet fork	1200	2 Tons 1300 Kg.	1448	2073 2223	1095	1720 1870	35	100	380	1000	630	175
3070 7460	PGKL 23 1000 3T. pallet fork	1000	3 Tons 1700 Kg. 400 Kg.	1688	2533 2603 2788	1335	2180 2250 2435	40	100	380	1000	630	215
3070 7470	PGKL 23 1200 3T. pallet fork	1200	3 Tons 1700 Kg. 400 Kg.	1688	2533 2603 2788	1335	2180 2250 2435	40	100	380	1000	630	230

TIPG models for insulation

Product Nr.	TYPE	fork-length mm	Max load See above	A1 mm	A2 mm	B1 mm	B2 mm	D 1 mm	D 2 mm	E mm	F mm	G 1 mm	Weight kg
3070 7411	PGKL 22 TIPG-2 1000 w/ telesc. tube f. insulation	1000	2 Tons 1300 Kg 530 Kg	1448	2073 2223 3053	1095	1720 1870 2700	35	100	380	1000	630	180
3070 7413	PGKL 22 TIPG-2 1200 w/ telesc. tube f. insulation	1200	2 Tons 1300 Kg 530 Kg	1448	2073 2223 3053	1095	1720 1870 2700	35	100	380	1000	630	190
3070 7461	PGKL 23 TIPG-3 1000 w/ telesc. tube f. insulation	1000	3 Tons 1700 Kg 530 Kg	1688	2533 2603 3053	1335	2180 2250 2700	40	100	380	1000	630	240
3070 7471	PGKL 23 TIPG-3 1200 w/ telesc. tube f. insulation	1200	3 Tons 1700 Kg 530 Kg	1688	2533 2603 3053	1335	2180 2250 2700	40	100	380	1000	630	255