

HEMA

Orange peel Grapple

The orange peel grapple is designed for a working pressure of 200 - 330 bar, making it applicable for most of the larger excavators.

The grapple is suitable for handling scrap and other similar material.

All HEMA orange peel grapples are standard fitted with stops on the grapple arms, as well as grease nipples on the bolts.

The grapple is designed with strong bolts and as standard fitted with cylinder protection.

The orange peel grapple is made for interchangeable stone tips or hardox tips.

The grapple can be delivered with individual adjustments of links.

The grapple has interchangeable bearing in all pivot joints.

All HEMA orange peel grapples are available with different blade widths on the arms.

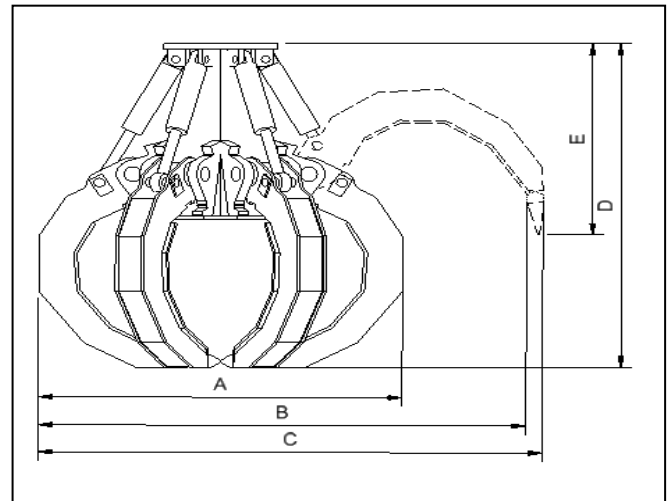
The grapples can also be delivered with electric hydraulic and wire grapples if ordered.



HEMA
orange peel
Grapple Type
P850/6



HEMA
orange peel
Grapple Type
P850/6



TYPE	Use	Contents	A mm	B mm	C mm	D mm	E mm	Weight kg
P850/6 *	Scrap	850 L	1660	2890	2990	1775	1060	1800
P1000/6 *	Scrap	1000 L	1860	3100	3200	1870	1060	2100
P1500/6 *	Waste	1500 L	1990	3325	3425	2050	1060	2100
P2000/6 *	Waste	2000 L	2210	3620	3720	2290	1060	2400

* Special product - manufactured by order.



HEMA
K.S.M. Kragelund ApS.
Bøgballevej 19, Kragelund, DK-8723 Løsning
Tel. + 45 75893711 - Fax. + 45 75893709
hema@ksm-hema.dk / www.hema.world

A Ubi ZWfi f]b['UbX'gUYg'cZ
<9A5 '7fUbY'9ei]da Yblž
UbX'a i X[i UFXg

