

HEMA

Orange Peel Grapple

The orange peel grapple is designed for a working pressure between 170 - 200 bar, making it suitable for almost all types of cranes. Max. pressure 200 bar.

The orange peel grapple is suitable for handling light weight scrap and similar materials.

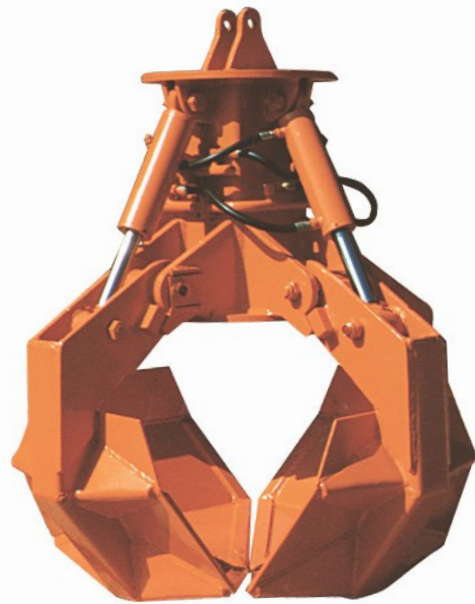
All HEMA orange peel grapples are standard fitted with stops on the grapple arms, as well as grease nipple bolts.

There are replaceable bushings and bearings in all pivot joints.

All HEMA orange peel grapples can be delivered with different blade widths on the arms.

Individual adjustment of suspension.

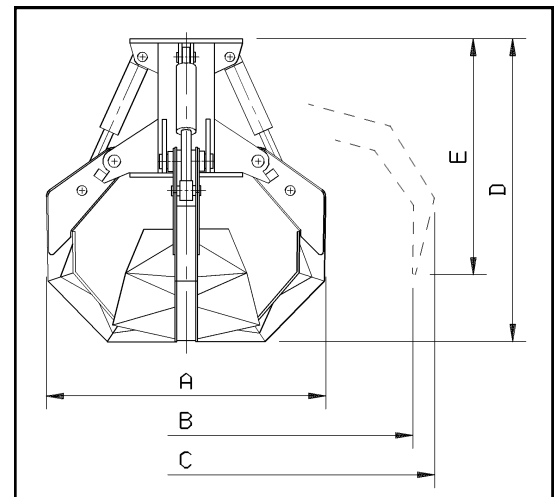
HEMA also supplies electric hydraulic and wire grapples by order.



Orange Peel Grapple
P325/4 Standard



Orange Peel Grapple
P325/4 narrow arms with
flange montage for rotator



Product nr.	TYPE	Bar	Content	A mm	B mm	C mm	D mm	E mm	Weight Kg.
3000 1140	P225/4Light	200	225	950	1510	1575	1015	790	220
3000 1150	P225/4	200	225	950	1510	1575	1015	790	305
3000 1250	P325/4	200	325	1010	1570	1685	1075	825	350