

HEMA

Driving Plate Clamp KPT 2500

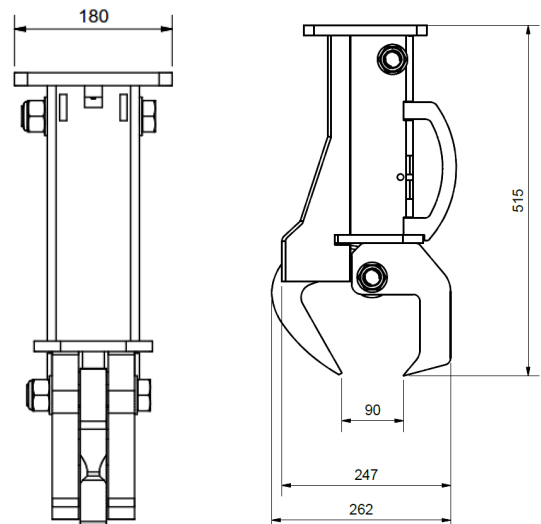
The HEMA driving plate clamp is a tool that facilitates and streamlines the work with road plates.

The driving plate clamp is prepared for mounting by suspension or rotator with mounting flanges 140x140xØ17.

The HEMA driving plate clamp can be mounted on a crane with a rotator, making it easier and safer for a person to handle the road plates without leaving the crane's operating unit.

The driving plate clamp is developed on the basis of the experience made from companies within the transportation industry and their experience with the handling of these products.

Driving Plate Clamp
KPT 2500 2,5 T



Product nr.	TYPE	Max load Kg.	Weight kg
3050 1550	Driving Plate Clamp 2500 KPT 2,5 T	2500	27