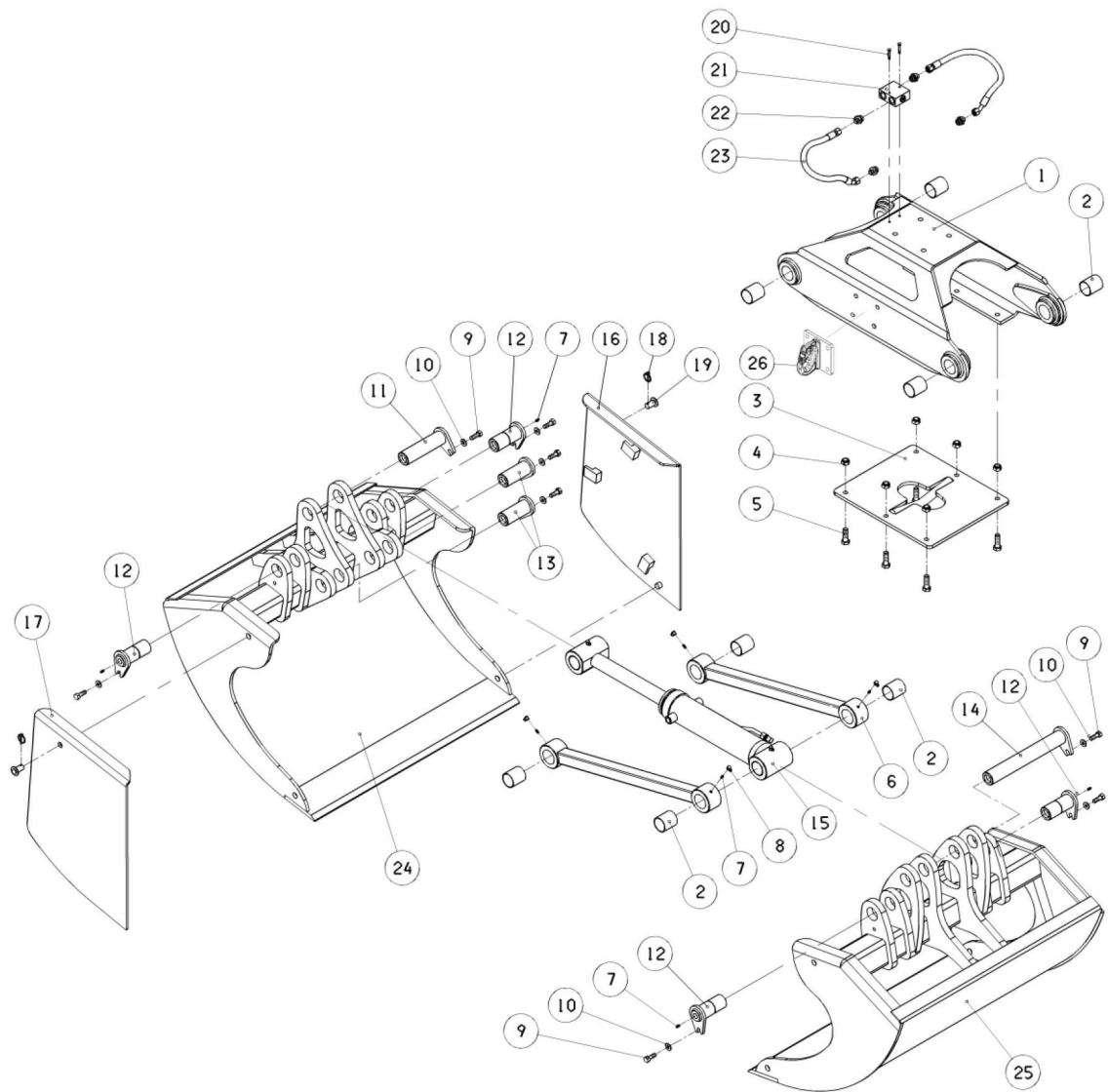


7. Spareparts exploded view and list Spareparts for CGS90-500/500XL/700/1050/1150



Spareparts list for CGS90-500/500XL/700/1050/1150/1500

Pos	Pcs.	Stock name	Stock no.
-	-	CGS90-500, complete grab	3016 5125
		CGS90-500XL complete grab	3016 5127
-	-	CGS90-700, complete grab	3016 5130
		CGS90-1050, complete grab	3016 5140
-	-	CGS90-1150, complete grab	3016 5150
-	-		
1	1	Top	3316 5000
2	8	Bearing	3410 4240
3	1	Bottom plate	3316 5100
4	6	Lock nut	3455 1610
5	6	Bolt	3450 1645
6	2	Pullrod	3316 5110
7	8	Greasenipple	3480 7506
8	4	Dustcap for greasenipple	3480 7500
9	8	Bolt	3450 1240
10	8	shim	3460 1300
11	1	Bolt	3400 5184
12	4	Bolt with lubrication	3400 5111
13	2	Bolt	3400 5112
14	1	Bolt	3400 5358
15	1	Cylinder	3600 3530
16	2	Bolt	3450 0645
17	1	Pressure relief valve	3525 4485
18	4	Adaptor	3520 2473
19	2	Hydraulic line	3510 5025
20	1	Shell with 3 holes CGS 500	3116 5125
21	1	Shell with 2 holes CGS 500	3116 5126
20	1	Shell with 3 holes CGS 500XL	3116 5127
21	1	Shell with 2 holes CGS 500XL	3116 5128
20	1	Shell with 3 holes CGS 700	3116 5130
21	1	Shell with 2 holes CGS 700	3116 5131
20	1	Shell with 3 holes CGS 1050	3116 5140
21	1	Shell with 2 holes CGS 1050	3116 5141
20	1	Shell with 3 holes CGS 1150	3116 5150
21	1	Shell with 2 holes CGS 1150	3116 5151
22	2	Sidemounted lifting hook S-series (Optional equipment)	3316 5200
		Complete bolt/bush set	3316 5130

Spareparts list, cylinder for S-series 200 bar.

Stock no. 3600 3530

Pos.	Pcs.	Stock name	Stock no.
1	4	Bearing	3410 4240
2	1	Cylinder with bearing	3605 4530
3	1	Piston	3615 6510
4	1	O-ring	3710 3046
5	1	Piston gasket	3705 9076
6	1	O-ring	3710 5779
7	1	Support ring	3715 9080
8	1	Locknut for gland nut	3630 8510
9	1	Gland	3620 7510
10	1	Seal	3720 5060
11	1	Strickle	3725 5060
12	1	Piston rod with bearing	3610 5530
13	2	Grease nipple	3480 7506
	2	Dust cap for grease nipple	3480 7500
14	1	Complete gasket set	3700 9510

