

HEMA

PLASTERBOARD TURNER

The HEMA plasterboard turner is intended for handling plasterboard.

The turner can be used to turn board packs to facilitate the handling of these through doors and windows in tower blocks.

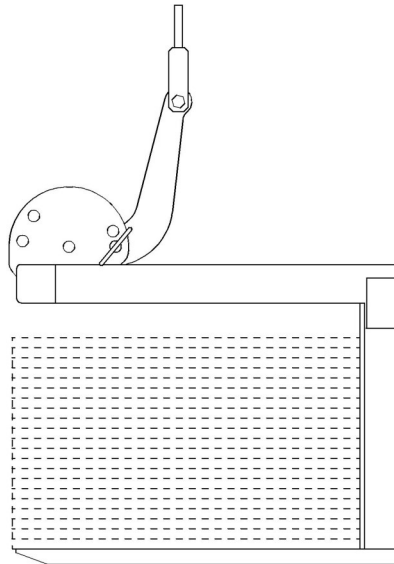
The GPV 1400 is designed with a swiveling lifting arm, which has adjustable options for reloaded, loaded horizontally and vertically.

The HEMA plasterboard turner has an extra advantage as it makes it possible to handle and move board packs lying down, without the need to put them up first. This makes it easier to load, unload and move packets with the GPV 1400.

The plasterboard tuner can be mounted with our standard suspension for hooks and multiple variations of rotators.

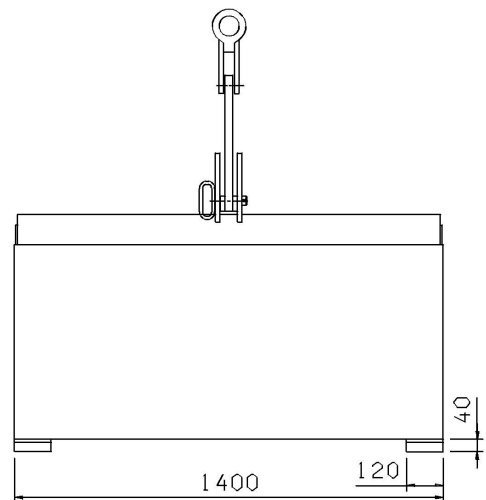
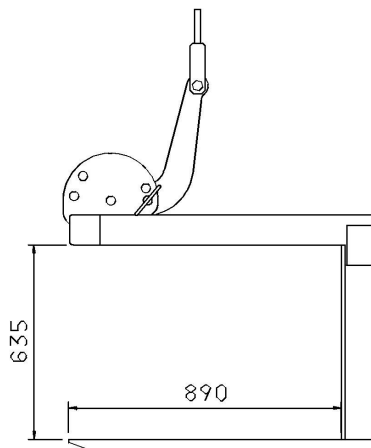
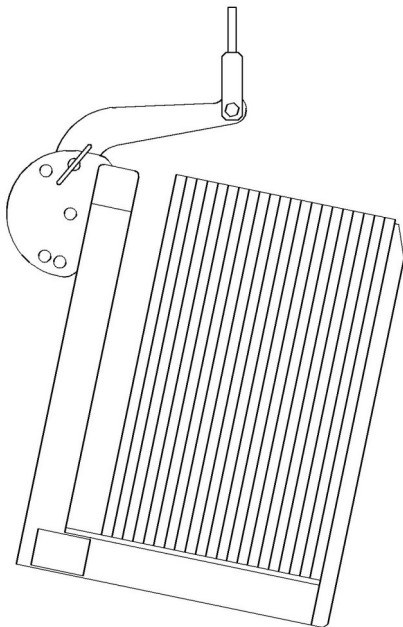


Plasterboard turner GPV2 1500 1,5T



GPV2 loaded with 900 mm boards horizontally

Free height 635 mm
Max.load 1500 kg
Own Weight 285 kg



Vare nr.	TYPE
3070 9135	GPV2 1500 1,5Tons